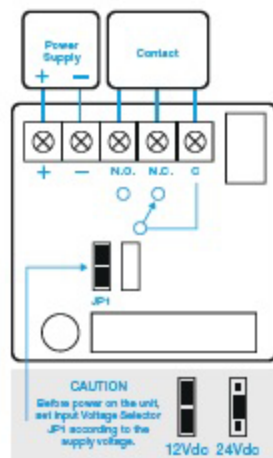
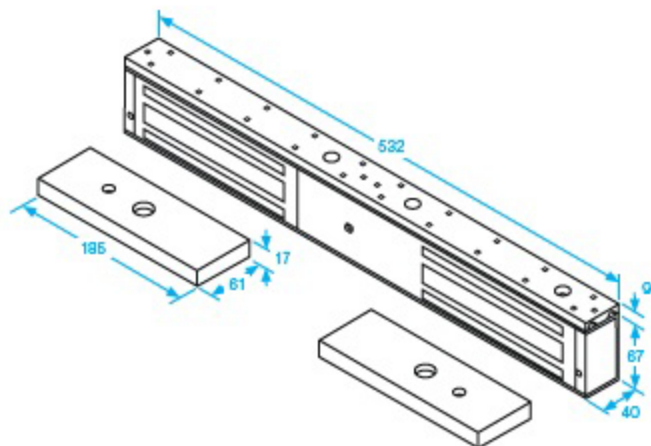


## Double Standard Magnet

- Operating voltage 12~24Vdc (Selectable)
- Holding force up to 2 x 1200lbs (544Kg)
- Aluminium housing
- Electroless nickel plated armature
- Door status: An independent contact that works separately from the magnet to show door status not lock status



### OPTIONS



### SPECIFICATION

- Voltage tolerance:  $\pm 10\%$ .
- Current draw: 420mA at 12Vdc, 210mA at 24Vdc (at temperature 20°C).
- Operating temperature: -10~55°C (14 to 131°F).
- Lock's surface temperature: Current temperature  $\pm 20\%$  (when power is on).
- Humidity: 0~95% non-condensing.
- Aluminium housing, nickel plated armature.
- Weight: 9.3kg (approx).