

Combined Proximity and Keypad Access

- Operating voltage 12Vdc
- Die-cast Aluminium
- **Bluetooth**
- Backlit keypad
- Weather resistant: IP65
- Vandal resistant
- Multiple LED display with audible indication



WEATHER
RESISTANT
- IP 65 -



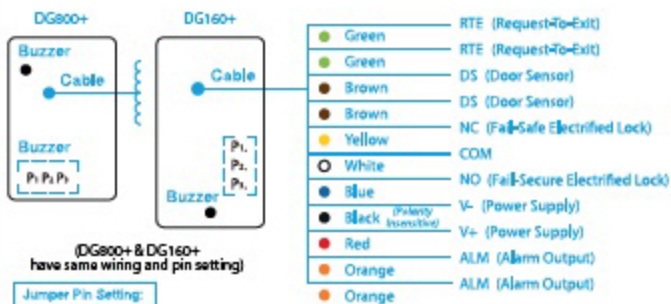
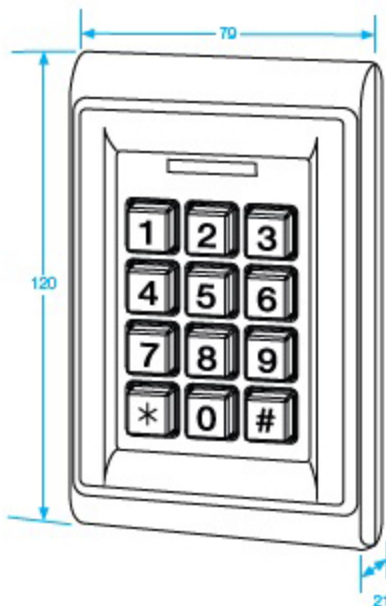
VANDAL
RESISTANT



BLUETOOTH



OPTIONS



LED	STATUS	AUDIBLE BEEPS	STATUS
BLUE	POWER ON, STANDBY MODE	1 SHORT BEEP	KEY PRESS
GREEN	UNLOCKED, DOOR ALWAYS UNLOCKED	1 LONG BEEP	VALID ACCESS, RESET IS COMPLETE
RED	INVALID ACCESS, DOOR ALWAYS LOCKED	2 SHORT BEEPS	LOCKING COMPLETE
		3 SHORT BEEPS	INVALID ACCESS
		CONSTANT BEEPING	BLUETOOTH DEVICE VANDALISED DOOR SENSOR IS ON