

## Colour Video Keypad Access

- Narrow style panels
- Die cast metal material
- High quality handset
- 70m distance
- Keypad access
- Up to 3 handsets
- Up to 2 entrances
- Surface mount



### Hands Free Colour Video Keypad Access



H	W	D
160	245	18

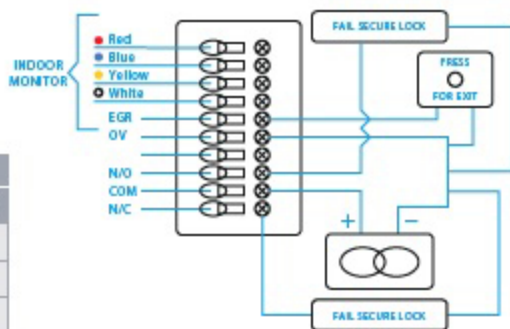


PRODUCT	H	W	D
CALL PANEL	190	75	45
MONITOR	243	198	79

#### OPTIONS



RANGE OF VIDEO	
CABLE DIAMETER	DISTANCE
0.2 <sup>3</sup> mm	28
0.3 <sup>2</sup> mm	50
0.5 <sup>2</sup> mm	70



- RED = AUDIO
- BLUE = GND
- YELLOW = V+
- WHITE = AUDIO

The keypad will not operate until the power for the lock is applied.