

Resettable Call Point

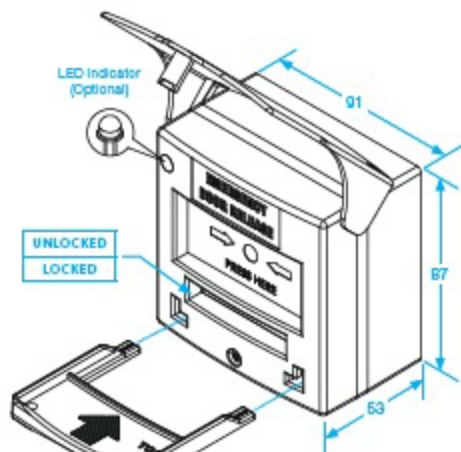
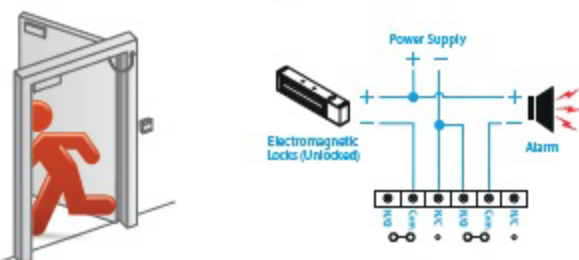
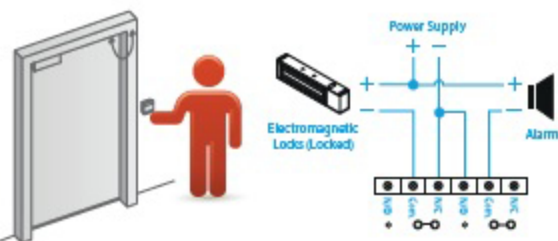
- Green plastic
- Resettable
- Surface mount
- Double Pole



OPTIONS

CP32G-L Key

CP32-G-L Cover



SPECIFICATION

- COM / NO / NC Change-over-contacts x 2
- Contact resistance 150m
- Contact resistance 3A @125V~